

105045LP

Gullies - flat grating D400

hinged

BENOR

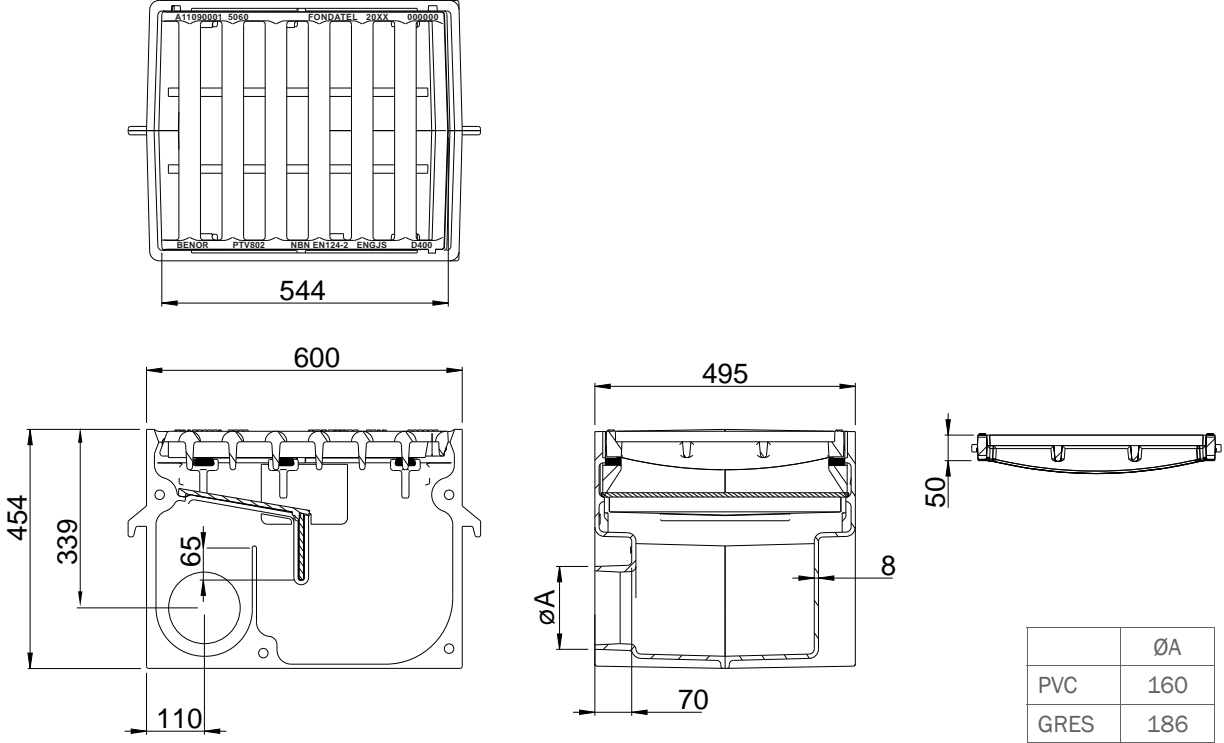


DESCRIPTION
Gullies for road infrastructure, industrial zones D400

- ADVANTAGE PRODUCT**
- Hinged grating (opening direction can be changed)
 - Flat grating, with round bars
 - Lateral outlet for DN 160 pipe.
 - 2 handling hooks
 - Grating supports on 6 points with EPDM seal.

MATERIAL
Ductile iron GJS 500-7 depending on EN1563

PLACE OF INSTALLATION
Group 3, →see EN124-1
For gully tops installed in the area of kerbside channels of roads which when measured from the kerb edge, extend a maximum of 0,5m into carriageway.



REFERENCE	ARTICLE N°	ARTICLE N° COPRO	KG	CAPACITY	CAPACITY HOLDING TANK
AVA 506045 flat - round bars - lateral outlet - pvc	105045LPO.160	0452/0276	144,5	10,44 dm ²	37,5L
AVA 506045 flat - round bars - lateral outlet - gres	105045LPO.GRES	0452/0296	144,5	10,44 dm ²	37,5L

Sizes in mm - Weights, sizes and sketch are indicative - Uncontrolled distribution.

105045LP

Gullies - flat grating D400

BENOR



hinged



<https://fondatel.com/index.php/environmental-policy-2/?lang=en>
<https://qr.co2logic.com/52518ea7746fcbcc911c6b2a8873e80>



BENOR



The validity of the data sheet can be checked using the device article n° COPRO on the COPRO website. <https://extranet.copro.eu/en/Sheets>

ENVIRONMENT

0 kg CO₂/product through compensation (*)

(*) Following our balance sheet of carbon dioxide emissions, Fondatel made an action plan to reduce its carbon dioxide emissions with 20% latest 2025 following European regulations.

In order to compensate actual balance of emissions which can't yet be avoided, Fondatel engaged itself to invest into certified climate projects, which themselves help to lower global carbon emissions and present multiple gains described in the list of Objectives of Sustainable Development by United Nations.

Compensation is 300,56 kg CO₂/product

CERTIFICATION THIRD PARTY

- Conform PTV 802, type I class D400
- Certified EN124-2 BENOR by Copro

OPTION

Marking/logo on request.

VARIANTS

Available with concave grating: 105045LI