

103040LP

Gullies - flat grating D400



PTV 802

hinged



DESCRIPTION

Gullies for road infrastructure, industrial zones D400

ADVANTAGE PRODUCT

- Hinged grating (opening direction can be changed)
- Flat grating, with round bars, 45° bars or pedestrian.
- Grating pedestrian bars: opening between bars <20mm for additional security for wheelchairs and bicycles.
- Lateral outlet.
- 2 handling hooks
- Grating supports on 6 points with EPDM seal.

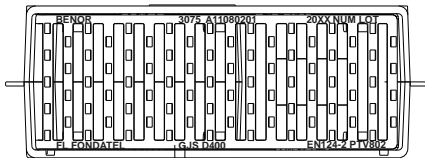
MATERIAL

Ductile iron GJS 500-7 depending on EN1563

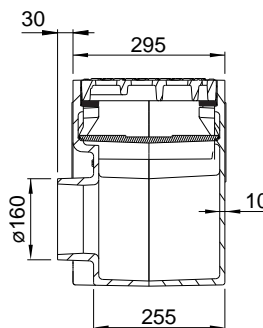
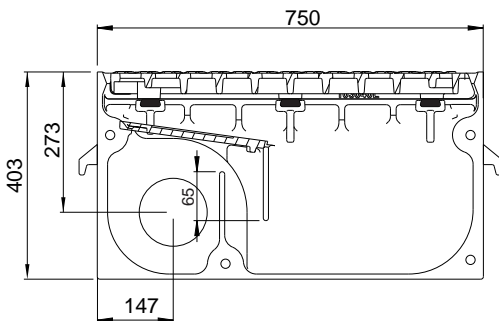
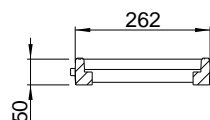
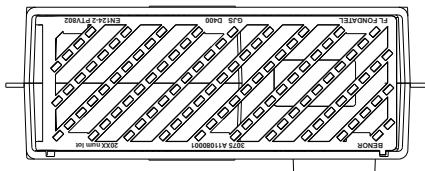
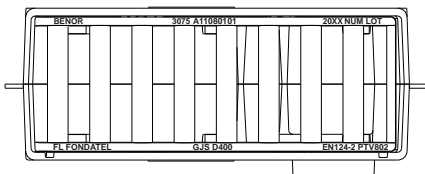
PLACE OF INSTALLATION

Group 3, →see EN124-1

For gully tops installed in the area of kerbside channels of roads which when measured from the kerb edge, extend a maximum of 0,5m into carriageway.



< 20



REFERENCE	ARTICLE N°	ARTICLE N° COPRO	KG	CAPACITY	CAPACITY HOLDING TANK	PACK.
AVA 307540 flat- pedestrian bars - lateral outlet - pvc	103040LP1.160	0452/0325	122	6,96 dm ²	24,7L	12
AVA 307540 flat - round bars - lateral outlet - pvc	103040LP0.160	0452/0321	122	8,10 dm ²	24,7L	12
AVA 307540 flat - 45° bars - lateral outlet - pvc	103040LP7.160	0452/0306	122	9,50 dm ²	24,7L	12

Sizes in mm - Weights, sizes and sketch are indicative - Uncontrolled distribution.

103040LP

Gullies - flat grating D400

PTV 802



hinged



<https://fondatel.com/index.php/environmental-policy-2/?lang=en>
<https://qr.co2logic.com/52518ea7746fcbcc911c6b2a8873e80>



The validity of the data sheet can be checked using the device article n° COPRO on the COPRO website. <https://extranet.copro.eu/en/Sheets>

ENVIRONMENT

0 kg CO₂/product through compensation (*)

(*) Following our balance sheet of carbon dioxide emissions, Fondatel made an action plan to reduce its carbon dioxide emissions with 20% latest 2025 following European regulations.

In order to compensate actual balance of emissions which can't yet be avoided, Fondatel engaged itself to invest into certified climate projects, which themselves help to lower global carbon emissions and present multiple gains described in the list of Objectives of Sustainable Development by United Nations.

Compensaiton is

103040LP1.160	253,76 kg CO ₂ /product
103040LP0.160	253,76 kg CO ₂ /product
103040LP7.160	253,76 kg CO ₂ /product

CERTIFICATION THIRD PARTY

- Conform PTV 802, type F1 class D400
- Certified EN124-2 BENOR by Copro

VARIANT

- Available with concave grating: 103040LI

VARIANT



Sizes in mm - Weights, sizes and sketch are indicative - Uncontrolled distribution.