

# 102357LP

## Gullies - flat grating "City of Brussels" D400



PTV 802

hinged



### DESCRIPTION

Gullies for road infrastructure, industrial zones D400

### ADVANTAGE PRODUCT

- Hinged grating (opening direction can be changed)
- Flat grating, with round bars, 45° bars or pedestrian.
- Grating pedestrian bars: opening between bars <20mm for additional security for wheelchairs and bicycles.
- Lateral outlet.
- 2 handling hooks
- Grating supports on 6 points with EPDM seal.

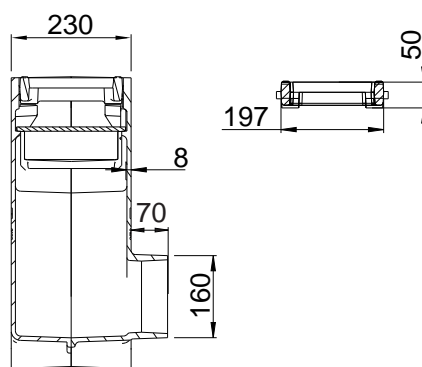
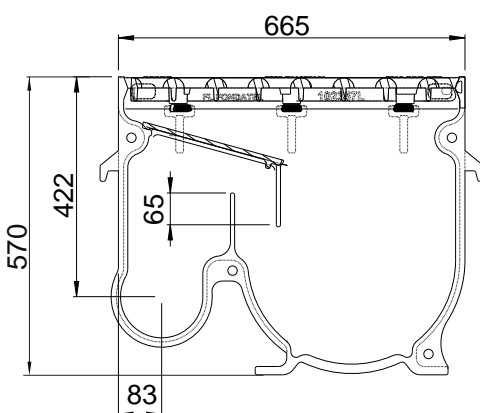
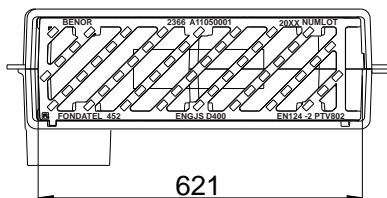
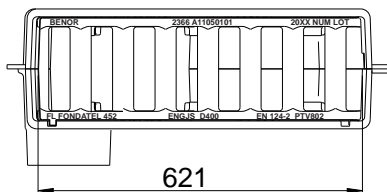
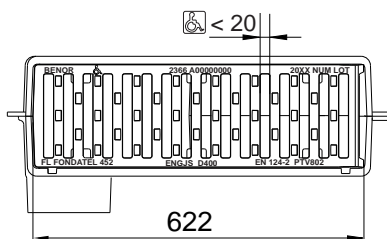
### MATERIAL

Ductile iron GJS 500-7 depending on EN1563

### PLACE OF INSTALLATION

Group 3, →see EN124-1

For gully tops installed in the area of kerbside channels of roads which when measured from the kerb edge, extend a maximum of 0,5m into carriageway.



| REFERENCE  | ARTICLE N°    | ARTICLE N° COPRO | KG | CAPACITY             | CAPACITY HOLDING TANK |
|--|---------------|------------------|----|----------------------|-----------------------|
| AVA 236657 flat - pedestrian bars - lateral outlet - pvc | 102357LP1.160 | 0452/0338        | 99 | 4,46 dm <sup>2</sup> | 25,6L                 |
| AVA 236657 flat - round bars - lateral outlet - pvc      | 102357LP0.160 | 0452/0273        | 99 | 5,20 dm <sup>2</sup> | 25,6L                 |
| AVA 236657 flat - 45° bars - lateral outlet -pvc         | 102357LP7.160 | 0452/0274        | 99 | 5,90 dm <sup>2</sup> | 25,6L                 |

Sizes in mm - Weights, sizes and sketch are indicative - Uncontrolled distribution.

# 102357LP

## Gullies - flat grating "City of Brussels" D400

PTV 802



hinged



<https://fondatel.com/index.php/environmental-policy-2/?lang=en>  
<https://qr.co2logic.com/52518ea7746fcbcc911c6b2a8873e80>



The validity of the data sheet can be checked using the device article n° COPRO on the COPRO website. <https://extranet.copro.eu/en/Sheets>

### ENVIRONMENT

#### 0 kg CO<sub>2</sub>/product through compensation (\*)

(\*) Following our balance sheet of carbon dioxide emissions, Fondatel made an action plan to reduce its carbon dioxide emissions with 20% latest 2025 following European regulations.

In order to compensate actual balance of emissions which can't yet be avoided, Fondatel engaged itself to invest into certified climate projects, which themselves help to lower global carbon emissions and present multiple gains described in the list of Objectives of Sustainable Development by United Nations.

Compensaiton is

|               |                                    |
|---------------|------------------------------------|
| 102357LP1.160 | 205,92 kg CO <sub>2</sub> /product |
| 102357LP0.160 | 205,92 kg CO <sub>2</sub> /product |
| 102357LP7.160 | 205,92 kg CO <sub>2</sub> /product |

### CERTIFICATION THIRD PARTY

- Conform PTV 802, type B1 class D400
- Certified EN124-2 BENOR by Copro

Sizes in mm - Weights, sizes and sketch are indicative - Uncontrolled distribution.